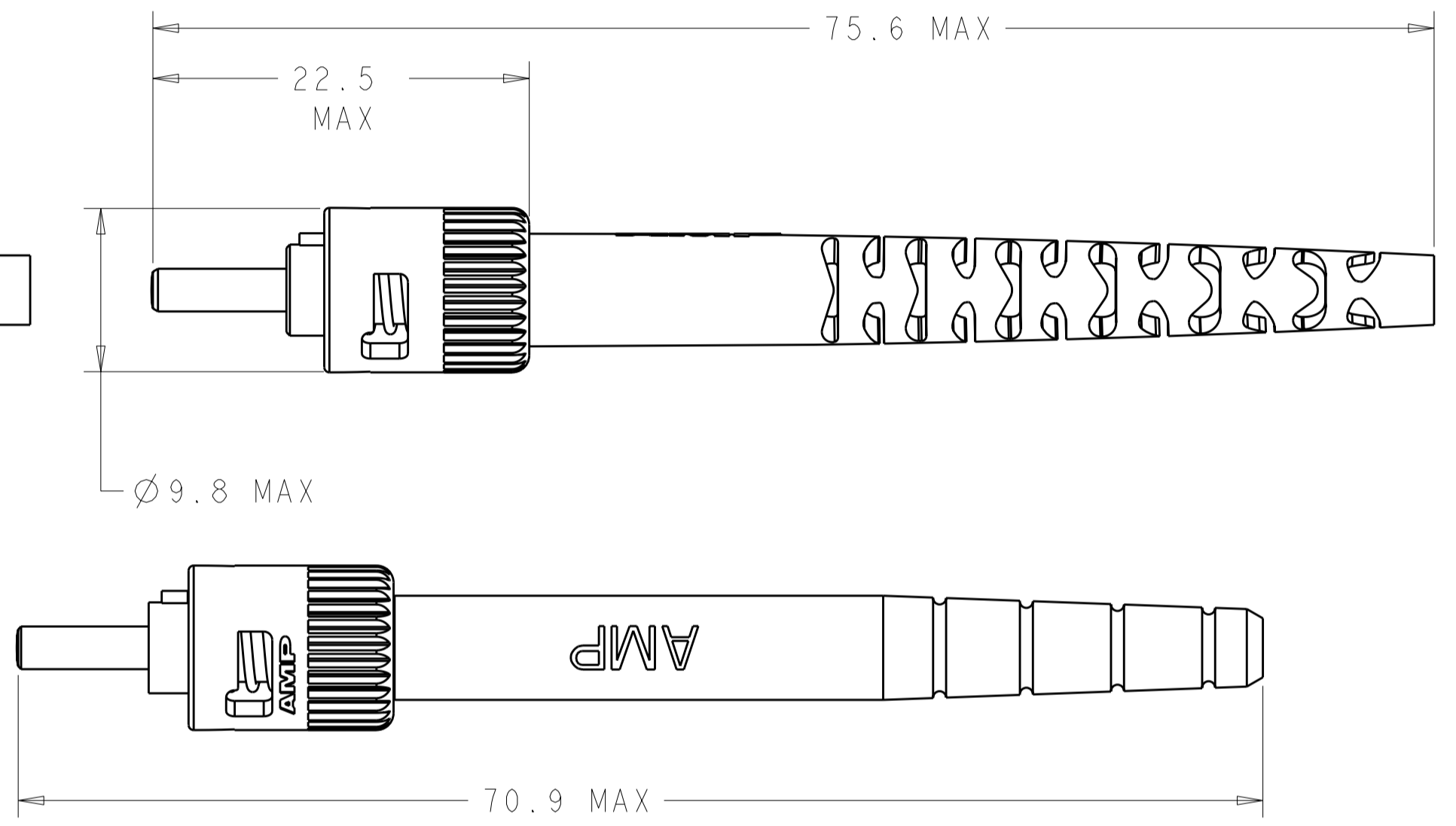
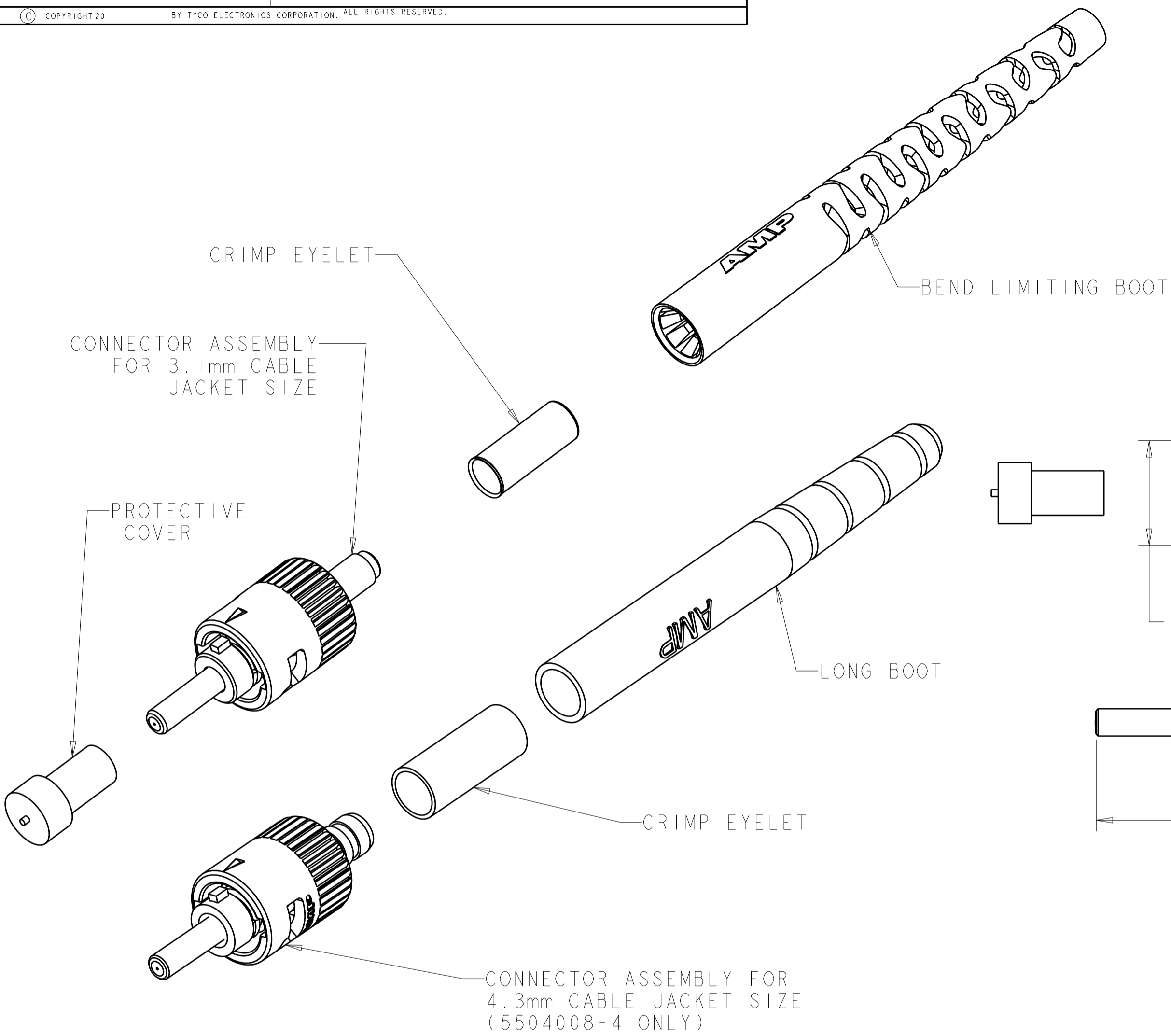


THIS DRAWING IS UNPUBLISHED. RELEASED FOR PUBLICATION 20
 © COPYRIGHT 20 BY TYCO ELECTRONICS CORPORATION. ALL RIGHTS RESERVED.

LOC	DIST	REVISIONS			
P	LTR	DESCRIPTION	DATE	DWN	APVD
CE	00				
	A	REVISE PER ECR-06-008727	12APR2006	BB	SB
	B	REVISE PER ECR-06-023797	10OCT2006	BB	SB



⚠ BULK PACKAGE.

⚠ MATERIAL:
 PROTECTIVE COVER: LDPE, COLOR: BLACK, NON-FR.
 CONNECTOR ASSY
 FERRULE ASSY: STAINLESS STEEL/NICKEL PLATED BRASS.
 SPRING: STAINLESS STEEL.
 COUPLING NUT: ZINC.
 RETENTION RING: STAINLESS STEEL.
 3.1mm CRIMP EYELET: TIN PLATED COPPER.
 LONG AND BEND LIMITING BOOTS: TPE, COLOR: BLACK, UL94 V-0 RATED AT AT QUALIFYING THICKNESS.
 4.3mm CRIMP EYELET: NICKEL PLATED BRASS

⚠	NONE	125um	5-5504008-4
	BEND LIMITING	280um	4-5504008-6
⚠	BEND LIMITING	125um	1-5504008-7
	BEND LIMITING	231um	1.5504008-4
	BEND LIMITING	240um	1-5504008-3
	BEND LIMITING	140um	5504008-7
	LONG	125um	5504008-4
	BEND LIMITING	125um	5504008-3
	BOOT	HOLE SIZE	PART NUMBER

THIS DRAWING IS A CONTROLLED DOCUMENT FOR TYCO ELECTRONICS CORPORATION. IT IS SUBJECT TO CHANGE AND THE CONTROLLING ENGINEERING ORGANIZATION SHOULD BE CONTACTED FOR THE LATEST REVISION.		DWN B. BRIGGS 29 JUN 2005	tyco Electronics Tyco Electronics Harrisburg, PA 17105-3608	
DIMENSIONS: mm		CHK S. BUCHTER 29 JUN 2005	NAME CONNECTOR KIT, SST, 2.5mm BAYONET	
TOLERANCES UNLESS OTHERWISE SPECIFIED: 0 PLC ± 1 PLC ± 2 PLC ± 3 PLC ± 4 PLC ± ANGLES ± FINISH		APVD S. BUCHTER 29 JUN 2005	SIZE A200779	
MATERIAL		PRODUCT SPEC -	DRAWING NO 5504008	
		APPLICATION SPEC -	RESTRICTED TO -	
		WEIGHT -	SCALE 3:1	
		CUSTOMER DRAWING	SHEET 1 OF 1 REV B	